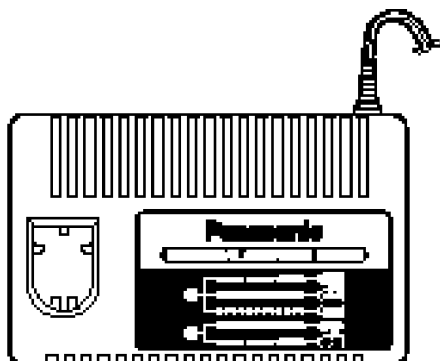


Service Manual

Battery charger

EY0110-U1



SPECIFICATIONS

Input	120V AC, 50-60Hz
Output	DC 24V, 3.75A
Weight	0.78kg (1.72lbs.)

WARNING

This service information is designed for experienced repair technicians only and is not designed for use by the general public. It does not contain warnings or cautions to advise non-technical individuals of potential dangers in attempting to service a product. Products powered by electricity should be serviced or repaired only by experienced professional technicians. Any attempt to service or repair the product or products dealt with in this service information by anyone else could result in serious injury or death.

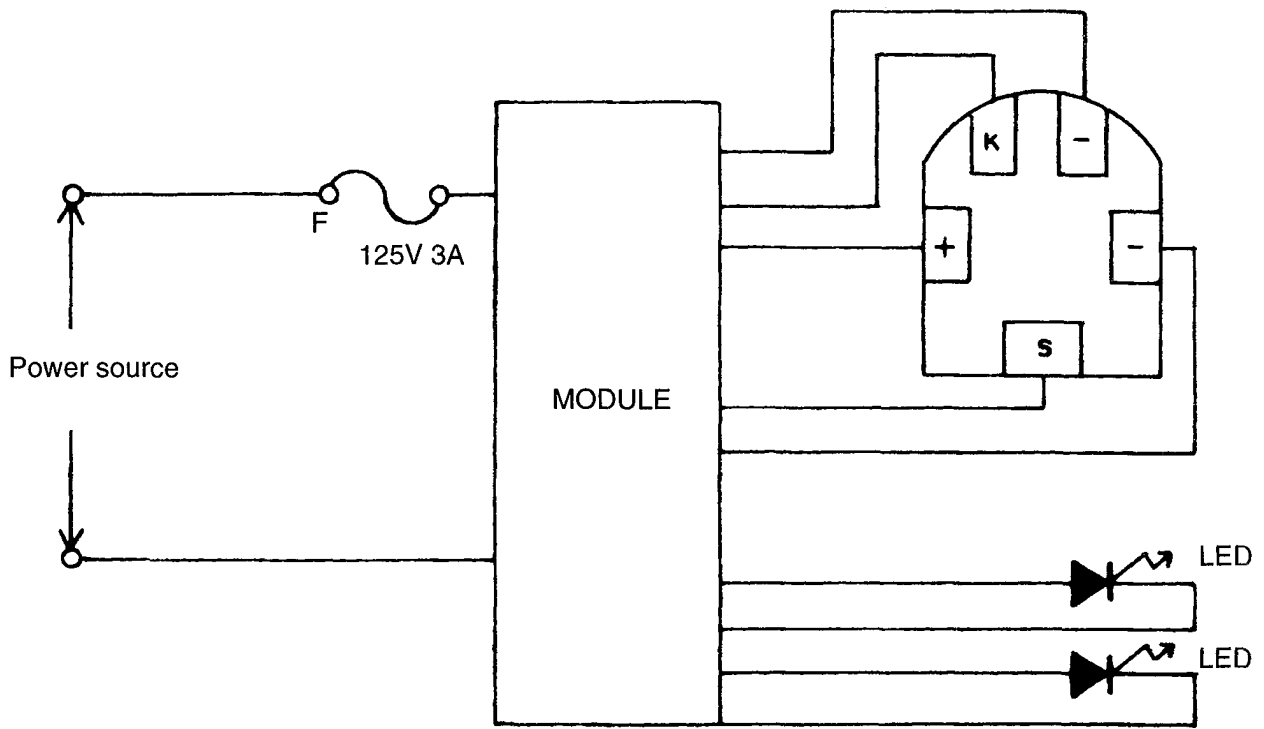
CONTENTS

	Page	Page	
1 SCHEMATIC DIAGRAM	2	3 EXPLODED VIEW	4
2 TROUBLESHOOTING GUIDE	3	4 REPLACEMENT PARTS LIST	4

Panasonic[®]

© 2003 Matsushita Electric Works, Ltd. All rights reserved. Unauthorized copying and distribution is a violation of law.

1 SCHEMATIC DIAGRAM

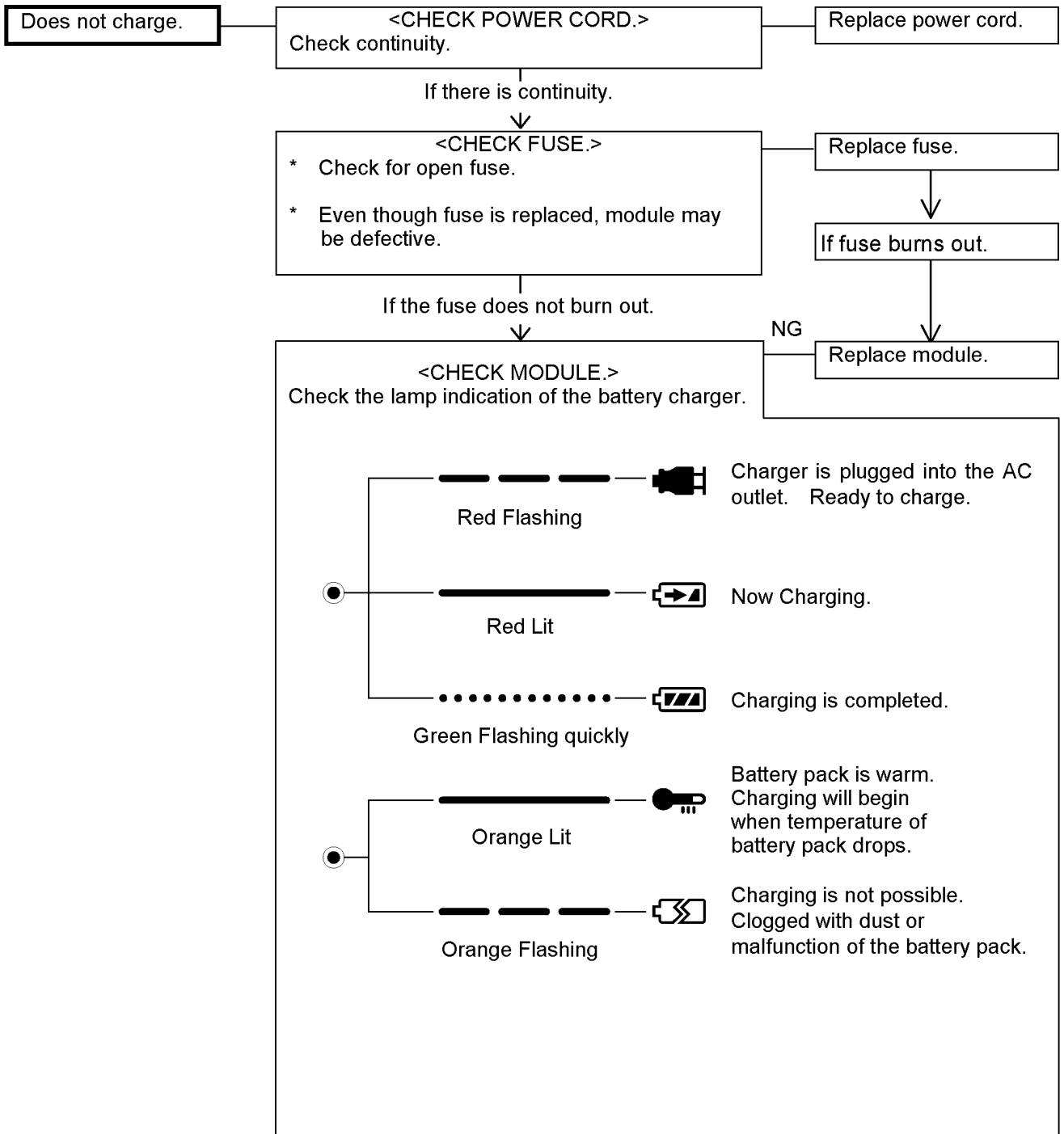


2 TROUBLESHOOTING GUIDE

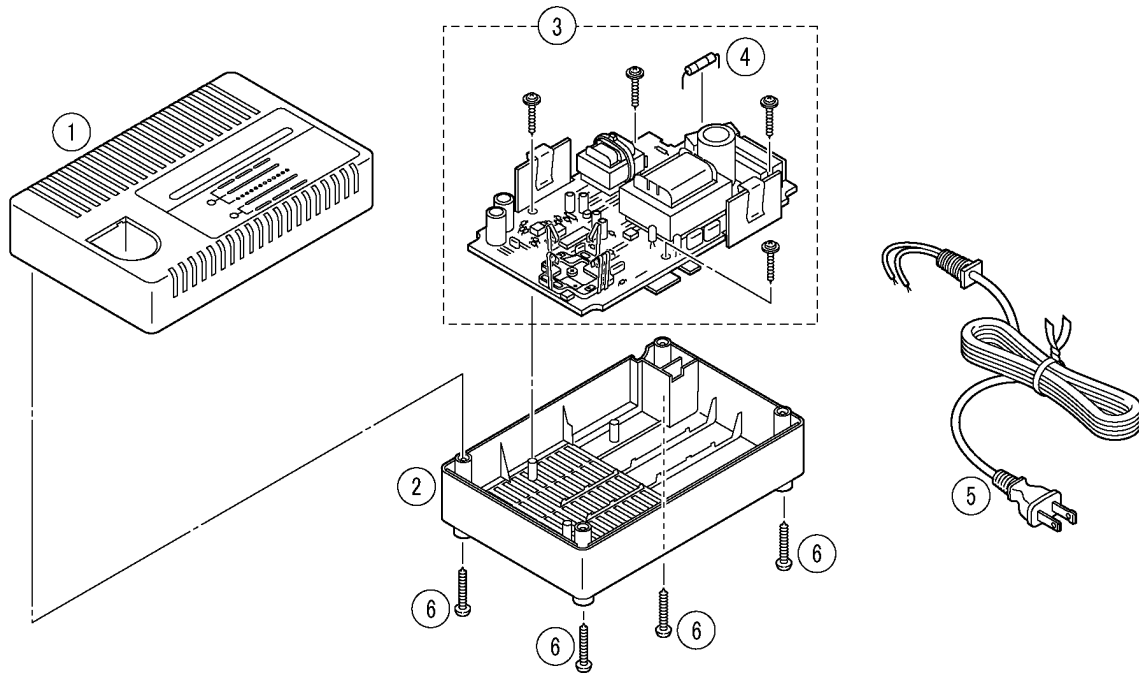
< TROUBLE >

< CHECK >

< REMEDY >



3 EXPLODED VIEW



4 REPLACEMENT PARTS LIST

NOTE:

*B=only available as set

*C=available individually

Ref. No.	Part No.	Part Name & Description	Remarks	Per Unit
1	WEY0110K3098	HOUSING A		1
2	WEY0110K3028	HOUSING B		1
3	WEY0110L2128	MODULE		1
4	EY0230L5258	FUSE	125V, 3A	1
5	EY0230K2058	POWER CORD		1
6	EY0217K6237	TORX TAPPING SCREW	*C K3-20	4
-	WEY0110K8008	INDIVIDUAL BOX		▲ 1
-	WEY0110K8108	OPERATING INSTRUCTIONS		▲ 1